

API of NH / Delta T

Check List For A Solar Project



1. Project information:

Heating Contractor:

Company: _____

Contact Name: _____

Street: _____

City: _____

Postal / Zip Code: _____ Prov./State: _____

Tel: _____ Fax: _____

Project Details:

Customer Name: _____

Street: _____

City: _____

Postal / Zip Code: _____ Prov./State: _____

Closest Major City: _____

Deadline: _____

Quotation

Consultation

2. Installation Area And Collector Type:

Collector Type	Sloped Roof	Flat Roof	Other: _____
Vitosol 100, Model s2.5	<input type="checkbox"/>	<input type="checkbox"/>	<input type="checkbox"/>
Vitsol 100, Model w2.5	<input type="checkbox"/>	<input type="checkbox"/>	<input type="checkbox"/>
Vitsol 300	<input type="checkbox"/>	<input type="checkbox"/>	<input type="checkbox"/>

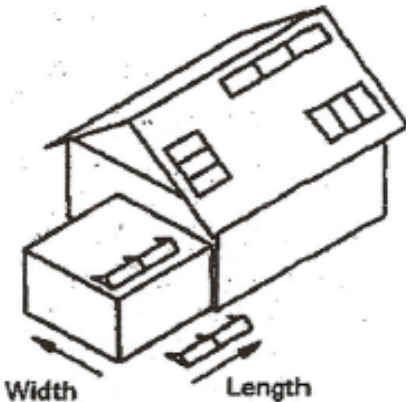
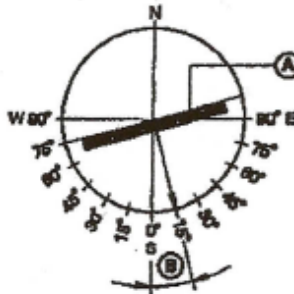
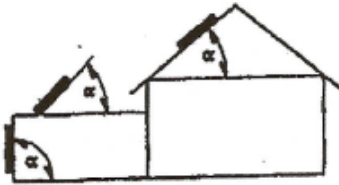
Shading Factors: Are There Any Large Trees or Buildings That Will Shade The Collectors At Any Time? If Yes, Please Provide Sketch Of Site.

Collector Inclination

Inclination % = _____

Collector Alignment

Deviation From South: _____



Available Roof Surface Area

Length: _____ ft

Width: _____ ft

Provide Sketch of Roof If Possible

3. Roof Construction:

Sloped Roof

Asphalt Shingle

Roof Tile

Other: _____

For Flat Roofs or Freestanding:

Tar And Gravel

Ground Mounted

Other: _____

API of NH / Delta T

Check List For A Solar Project



4. Building Data:

New Construction Retrofit
 Pipe Length From Collector To Solar Tank: (One Way): _____ ft./m # of Floors: _____
 Mechanical Room Location (for Multi-Buildings): Basement Roof Other: _____

5. Solar System Use:

1. DHW Heating 2. Swimming Pool Heating 3. Space Heating Support
 Does On of Your System Types Shown In The System Design Guidelines, Part No. 5167 156, Apply?
 Yes System Type 1 2 3 4 No, Please Attach System Layout Drawing

1. DHW Heating Load:

Residential Home How Many People In Home? _____ DHW Usage: _____ USG / Day
 # of Bathrooms: _____ Whirlpool Tub Size: _____ USG
 Multi-Family Apartment # of Apartments: _____ Average # of People / Apartment: _____
 DHW Usage: _____ USG / Day Recirculation Loop: Yes No
 Other DHW Application Building Type: _____ DHW Usage: _____ USG / Day

DHW Data:

DHW Temperature desired: _____ F
 Current DHW Heating Method: Oil Gas Electric Direct Fired Indirect C / W Boiler
 Existing DHW Tank Available: Yes No If Yes, Storage Capacity: _____ USG
 Desired Solar Coverage rate: 40% 50% 60% _____%

2. Swimming Pool Heating:

Open Air Pool Location: Wind Exposed Area Wind Protected Area
 Period of Use: June - August May - September
 Indoor Pool
 Swimming Pool Size (L x w x D): _____ / _____ / _____ ft. Pool Volume: _____ USG
 Desired Water Temperature: _____ F Pool Cover Used: Yes, Hours / Day Used: _____ No
 Backup Reheating Available: Yes No If Yes, What Type: _____

3. Space Heating Support:

Building Heat Demand: _____ MBH
 Radiator / Fan Coil Heating System Temperature: _____ F % of Building Heated: _____
 Radiator floor Heating System Temperature: _____ F % of Building Heated: _____
 Installed Boiler Output _____ MBH Fuel Type: _____